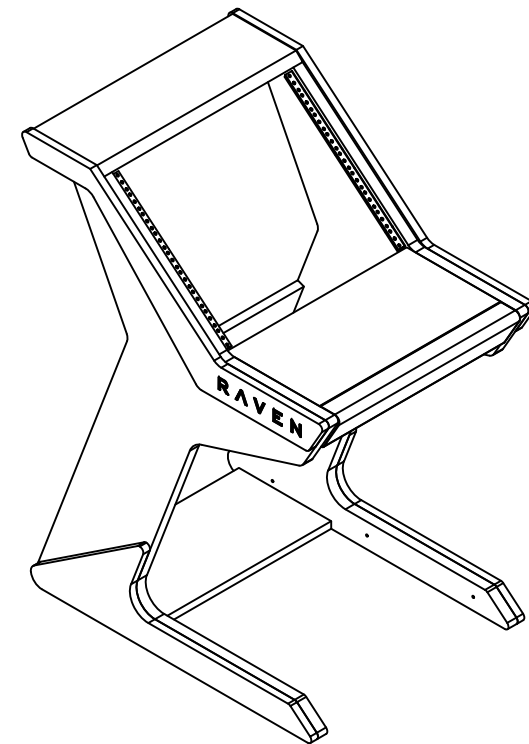


slate

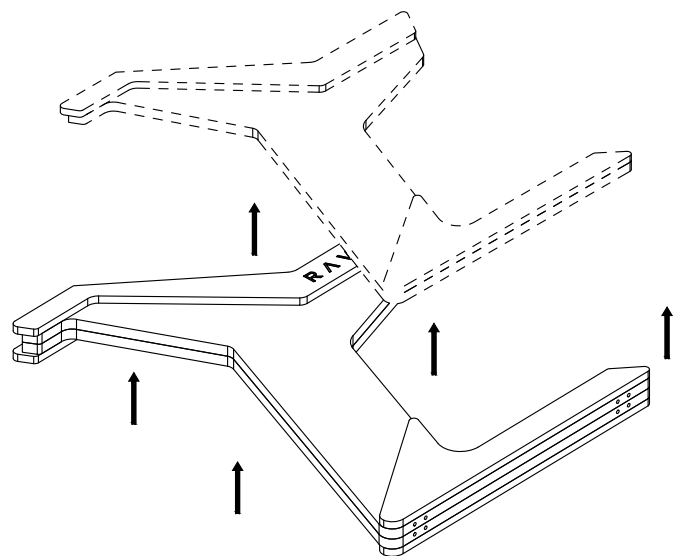
MEDIA TECHNOLOGY



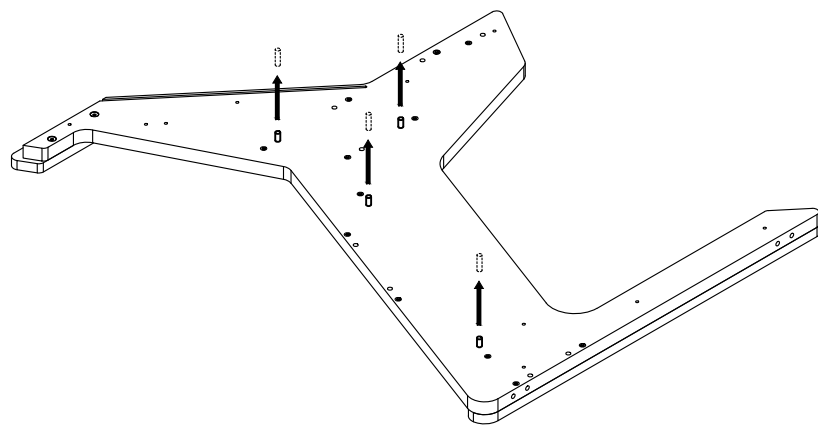
Sidecar

Assembly Manual

For reasons of safety and stability, parts number 1 and 2 are assembled during transport. Before you start building your Core Station, split the pieces. You will see 4 wooden dowels which hold together the two parts.



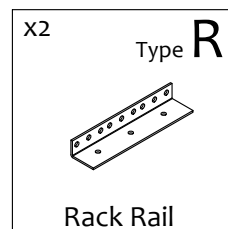
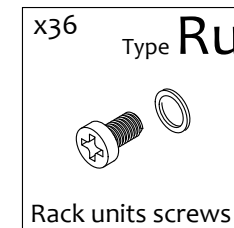
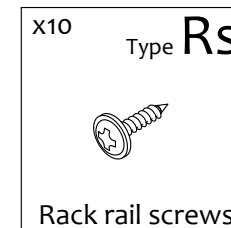
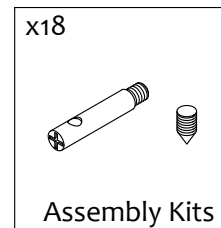
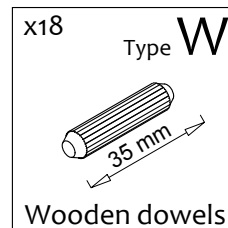
Remove the Wooden dowels and **do not use them for assembly**. You are now ready to start building your Core Station.



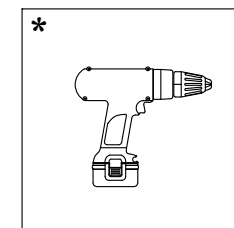
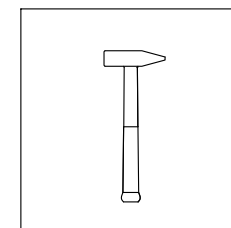
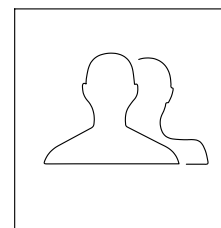
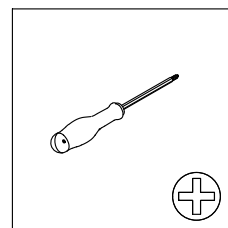
MATERIAL USED:

- MDF;
- Particle board;
- Metal Hardware.

PACKING LIST:



TOOLS:



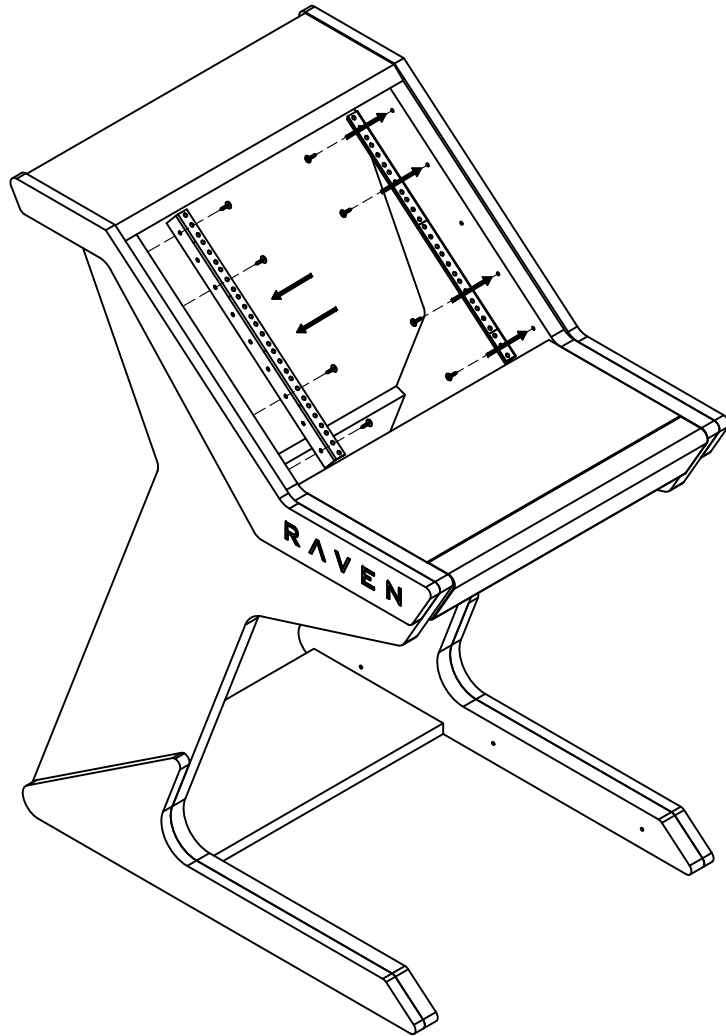
*Suggested

INSTRUCTION FOR USE AND CLEANING

- clean with a soft cloth, slightly humid or specific products for wood or lacquer;
- avoid the use of abrasive cleaners.

Step 4

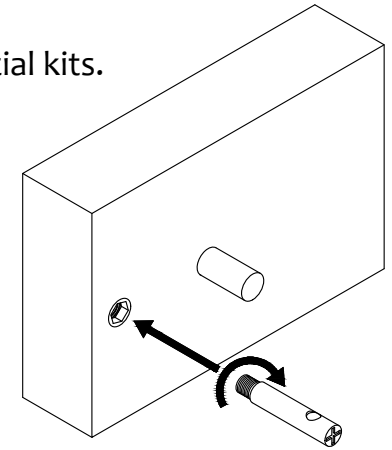
Fix Rack Rail with screws Type RS



The assembly of your desk uses special kits.

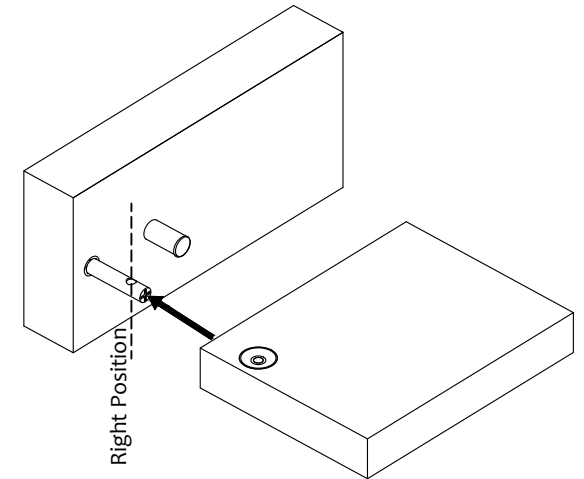
Here's how to use them

- 1) On the piece with the threaded insert(s), put in the system bolt(s) and tighten making sure to align the hole in the system bolt at a 90° angle.

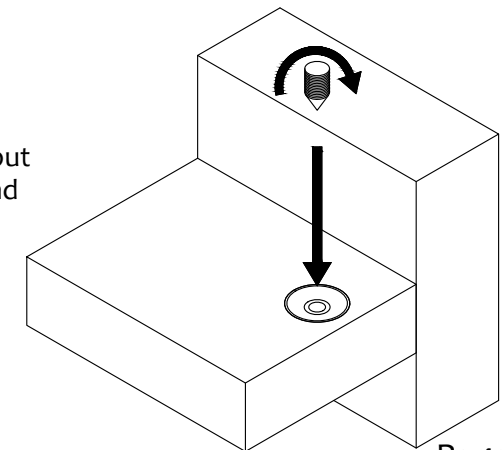


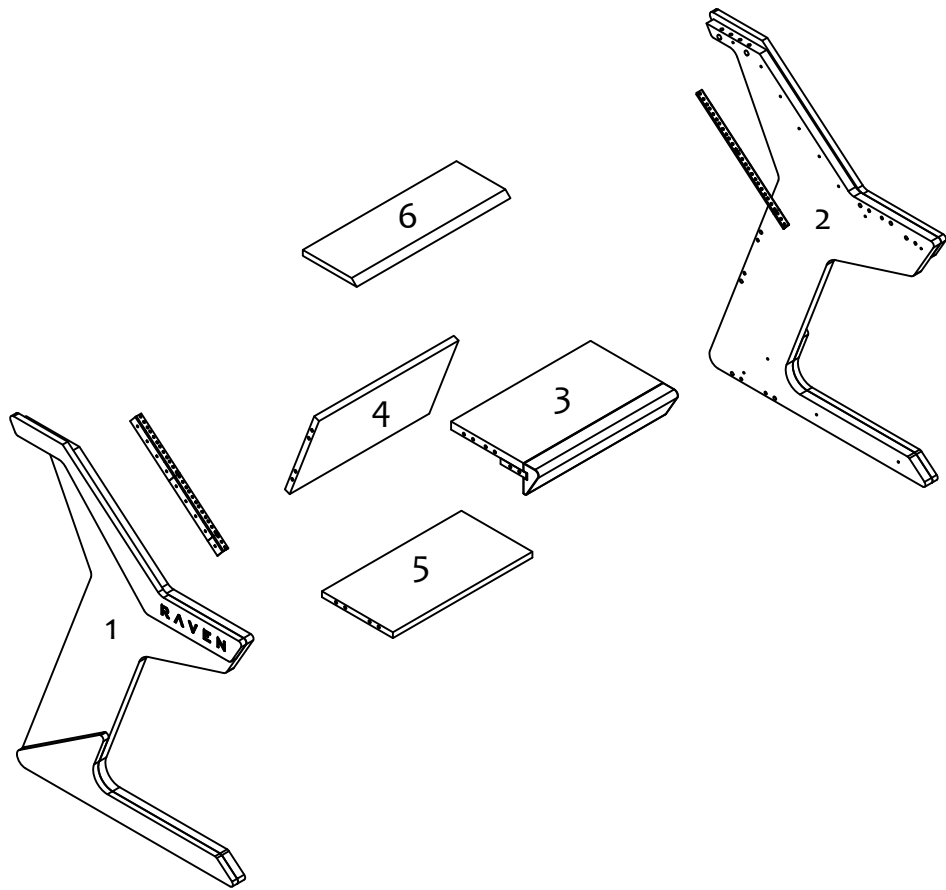
Please note that the system bolt may have a little slack in this position, which is fine!

- 2) Ensure that the hole in the bolt aligns with the opening in the other piece to be able to put in the safety screw.

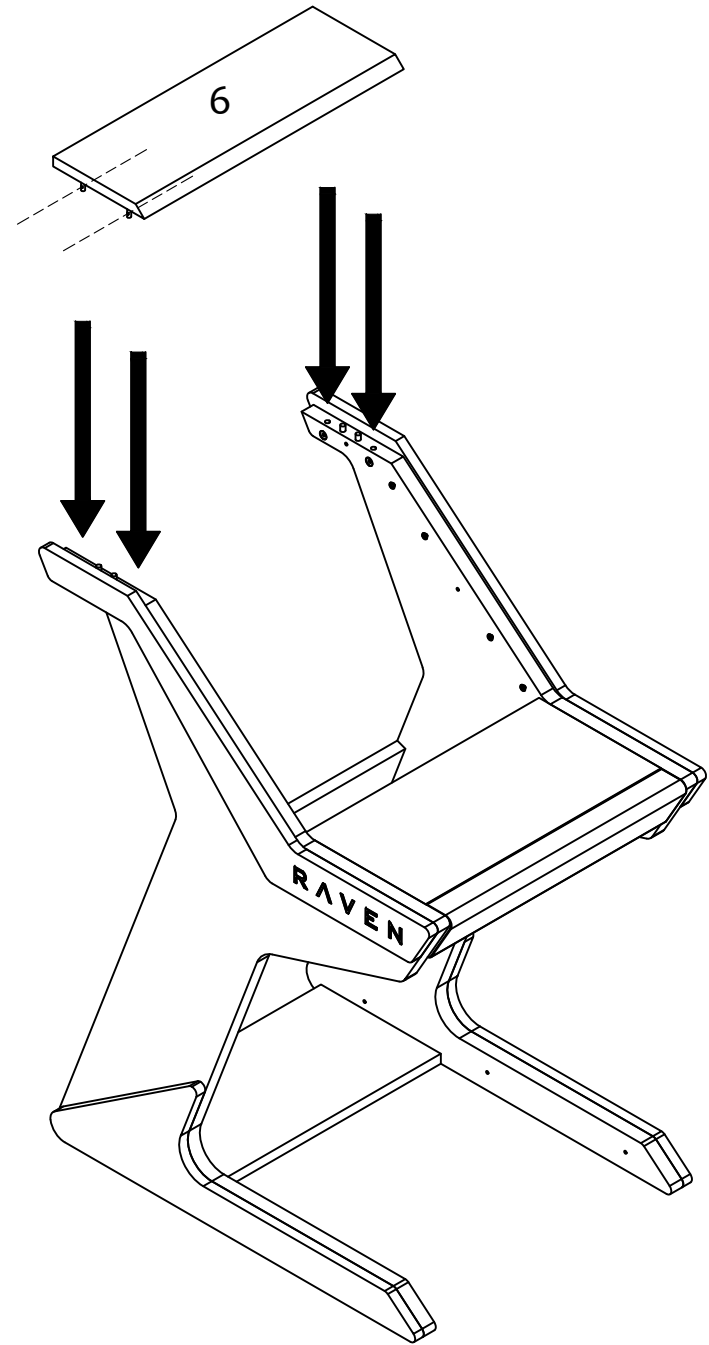


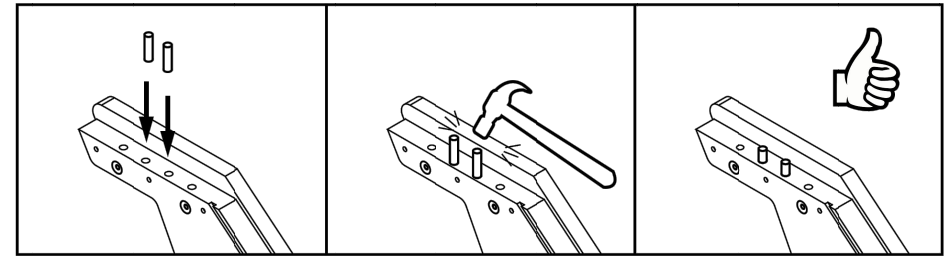
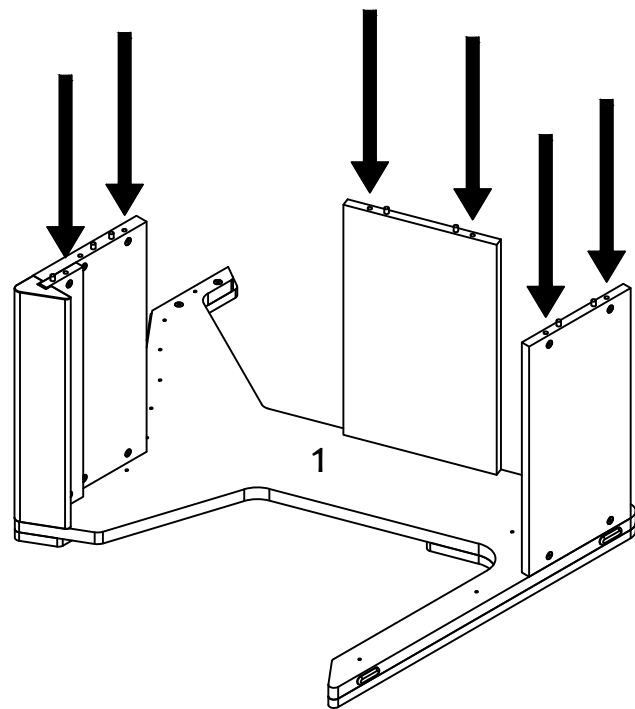
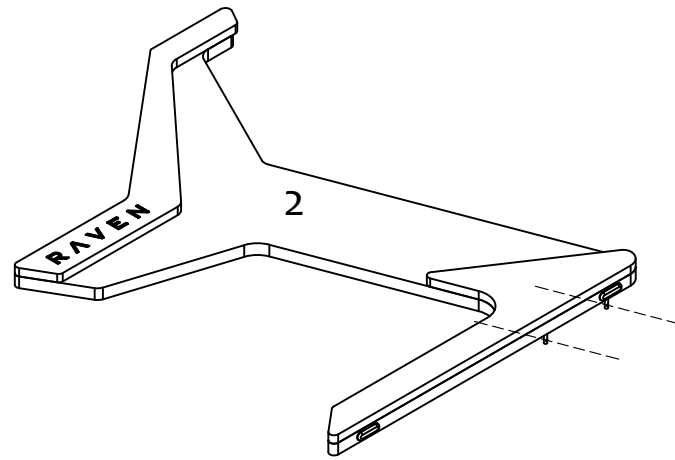
- 3) In each hole in the second piece, put in a cone shaped safety screw and tighten with a cross (philipps) screw driver - without forcing. The 2 parts will now be safely attached.



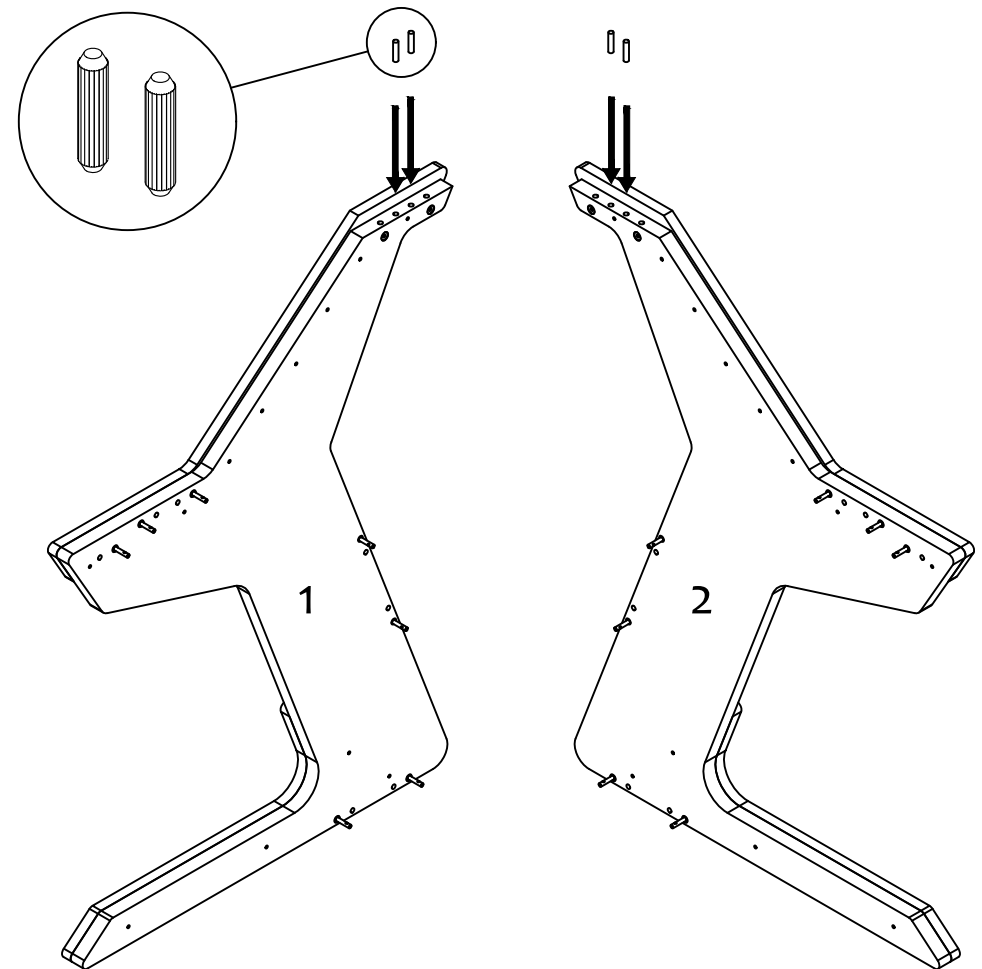


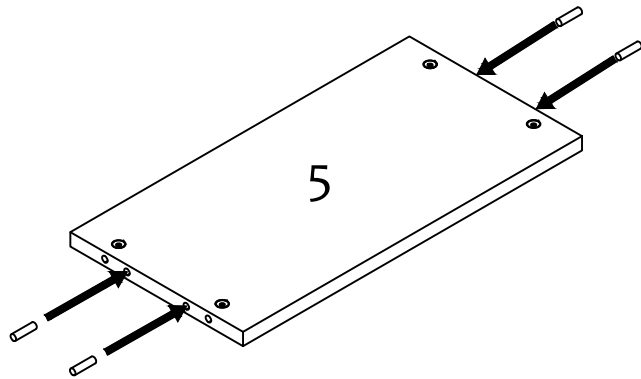
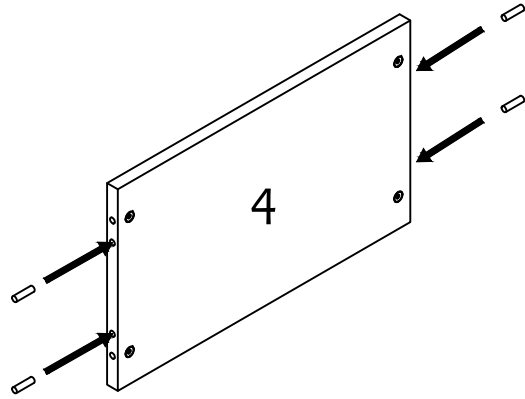
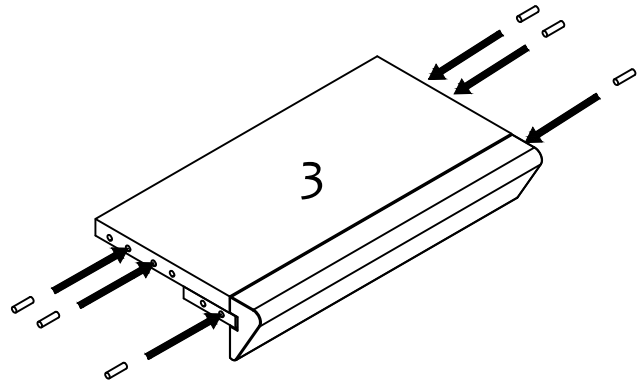
Step 3





Place the wooden dowels in the indicated holes and with the help of a small hammer push them all the way down (about half the dowel should disappear inside the hole).





Step 1

